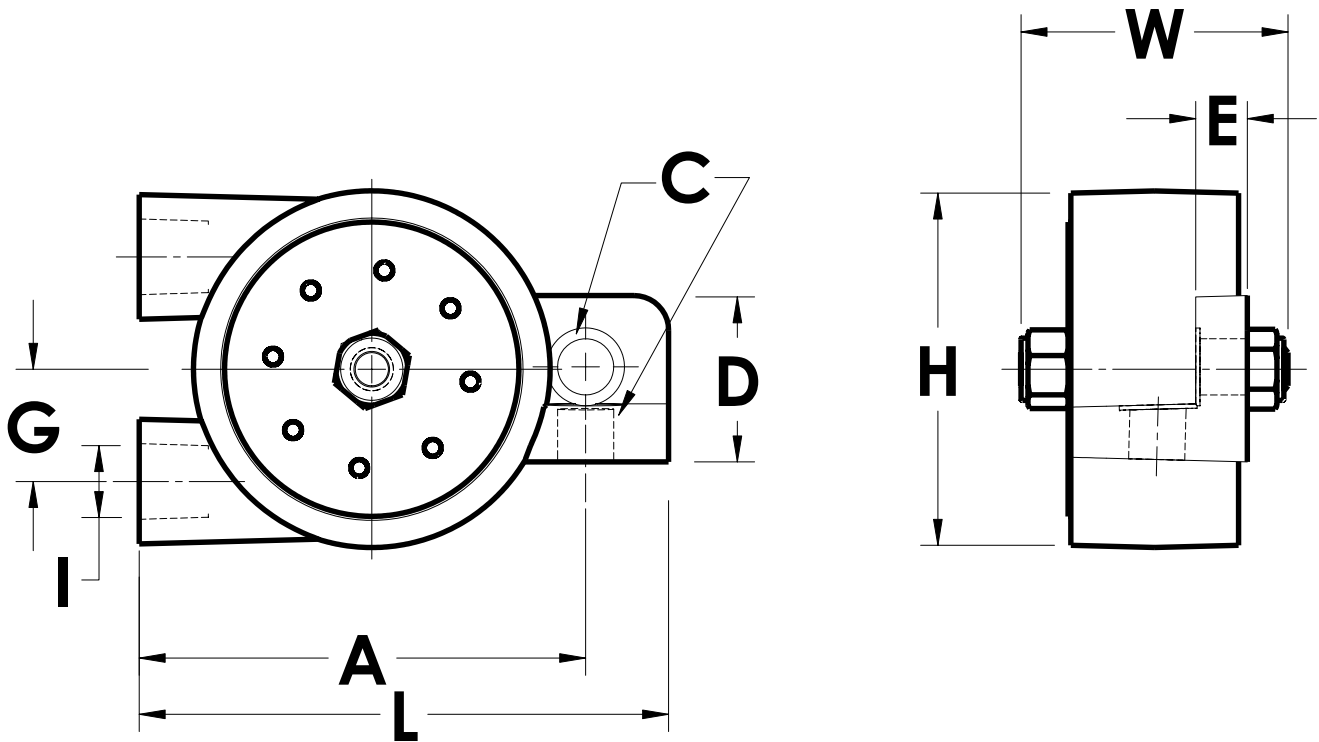


BBS and FBS Technical Data

Model	A		C **		L		W		H		D		E		G		I *
	Inch	mm	Inch	mm	Inch	mm	Inch	mm	Inch	mm	Inch	mm	Inch	mm	Inch	mm	Air Inlet
BBS-100	2 5/8	67	5/16	8	3 1/4	83	1 5/8	41	2	51	1	25	5/16	8	9/16	14	1/8-NPT
FBS-100																	
BBS-130	3 3/16	81	3/8	10	3 3/4	95	1 7/8	48	2 1/4	57	1 3/16	30	5/16	8	5/8	16	1/4-NPT
FBS-130																	
BBS-160 & 190	3 9/16	90	3/8	10	4 1/8	105	2	51	2 9/16	65	1 1/4	32	5/16	8	3/4	19	1/4-NPT
FBS-160 & 190																	

* NPT Pipe Tap Size

** Bolt Size



Model	Weight		60 psi		80 psi				Max. lbs.	Material in Bin
	oz.	kg	Speed VPM	CFM	Speed VPM	CFM	Force (lbs.)	Force (N)		
BBS-100	5	.142	12000	3.5			20	89	66	200
BBS-130	9	.255	8000	4.5	10500	5.5	75	334	67	750
BBS-160	12	.340	5500	5	9000	7	160	712	67	1600
BBS-190	15	.425	8500	5	10000	7	250	1112	70	2500
FBS-100	10.5	.298	15000	5			30	133	66	For Match-Plates
FBS-130	16	.454	13000	6	15000	7	150	667	68	For Match-Plates
FBS-160	24	.680	10500	6	13000	7	225	1001	68	For Match-Plates
FBS-190	26	.737	8500	6	10000	8	250	1112	70	For Match-Plates

PHONE ORDER: 1-800-633-0032

FAX: 1-401-539-2584

WWW.VIBCO.COM

VIBRATORS@VIBCO.COM

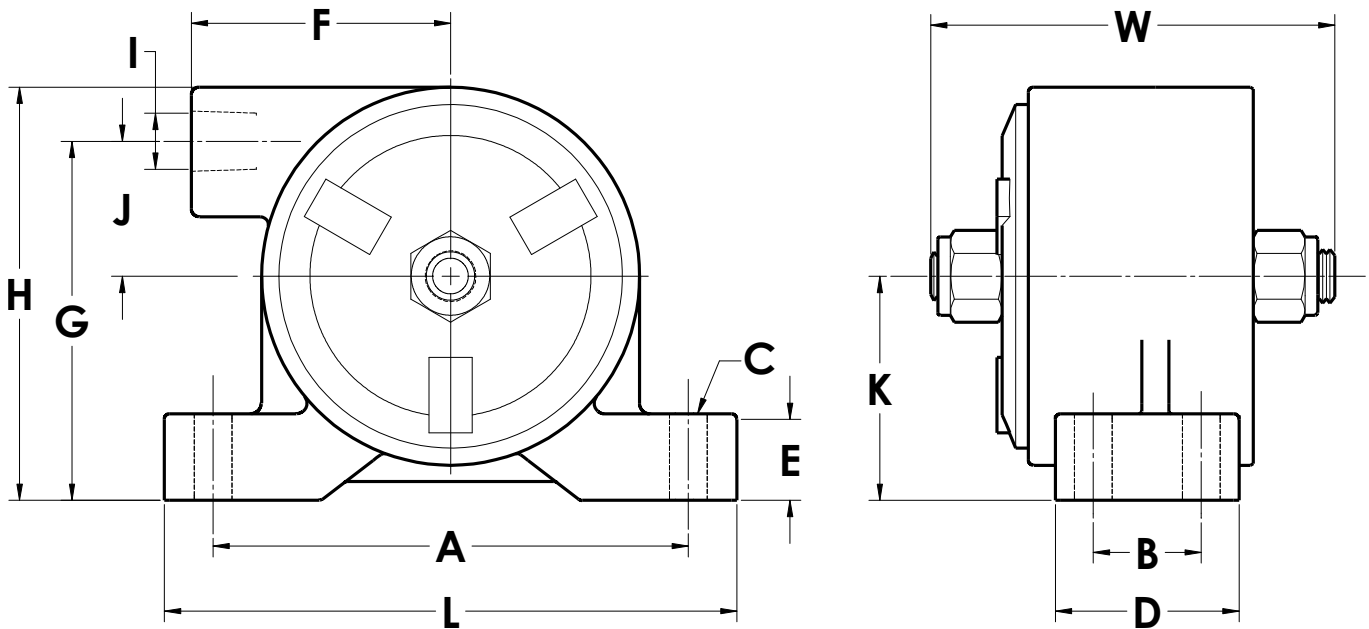
VS Technical Data

Model	A		B		C **		L		W		H		D	
	Inch	mm	Inch	mm	Inch	mm	Inch	mm	Inch	mm	Inch	mm	Inch	mm
VS-100	3	76	-	-	1/4	6	3 7/8	98	1 7/8	48	2	51	3/4	19
VS-130	4	102	-	-	3/8	10	4 7/8	124	2	51	2 5/16	59	15/16	24
VS-160	4	102	-	-	3/8	10	5 1/8	130	2 7/8	73	3	76	1 7/16	37
VS-190	4	102	-	-	3/8	10	5 7/16	138	3 1/4	83	3 1/16	78	1 5/16	33
VS-250	4	102	-	-	1/2	13	5 1/2	140	3 5/8	92	3 11/16	94	1 1/2	38
VS-320	4	102	-	-	1/2	13	5 1/2	140	4	102	4 3/4	121	1 3/4	44
VS-380	5 1/2	140	1 1/4	32	3/8	10	6 7/8	175	4 3/4	121	4 7/8	124	2 1/4	57
VS-510	5 1/2	140	1 3/4	44	3/8	10	6 15/16	176	4 3/4	121	5 3/8	137	2 3/4	70

E		F		G		I *	J		K	
Inch	mm	Inch	mm	Inch	mm	Air Inlet	Inch	mm	Inch	mm
3/8	10	1 5/16	33	1 11/16	43	1/8-NPT	5/8	16	1	25
3/8	10	1 1/2	38	1 15/16	49	1/8-NPT	3/4	19	1 1/4	32
11/16	17	1 7/8	48	2 7/16	62	1/4-NPT	7/8	22	1 5/8	41
5/8	16	2 1/8	54	2 1/2	64	1/4-NPT	7/8	22	1 3/4	44
9/16	14	2 1/4	57	3	76	1/4-NPT	1 1/8	29	1 7/8	48
13/16	21	2 1/4	57	4 1/8	105	3/8-NPT	1 1/4	32	2 3/4	70
1	25	2 7/8	73	4	102	3/8-NPT	1 1/2	38	2 1/2	64
1	25	3 1/4	83	4 3/4	121	1/2-NPT	1 3/4	44	2 7/8	73

* NPT Pipe Tap Size

** Bolt Size



Model	Weight		60 psi		80 psi			Max. lbs.		
	lbs.	kg	Speed VPM	CFM	Speed VPM	CFM	Force (lbs.)	Force (N)	dB	Material in Bin
VS-100	7/13 oz.	.198/.368	12000	4			20	89	66	200
VS-130	11/21 oz.	.312/.595	8000	4.5	10500	5.5	75	334	67	750
VS-160	3	1.4	10000	7	12000	8	160	712	70	1600
VS-190	3.5	1.6	4200	7.5	7200	9	270	1201	70	5000
VS-250	5	2.3	5500	9	7200	10.5	500	2225	70	5000
VS-320	6.5	2.9	5200	9	6800	11	600	2669	69	7000
VS-380	11.5	5.2	4600	16	5200	17	725	3226	72	7250
VS-510	15	6.8	4000	18	4500	21	900	4004	77	9000

PHONE ORDER: 1-800-633-0032

FAX: 1-401-539-2584

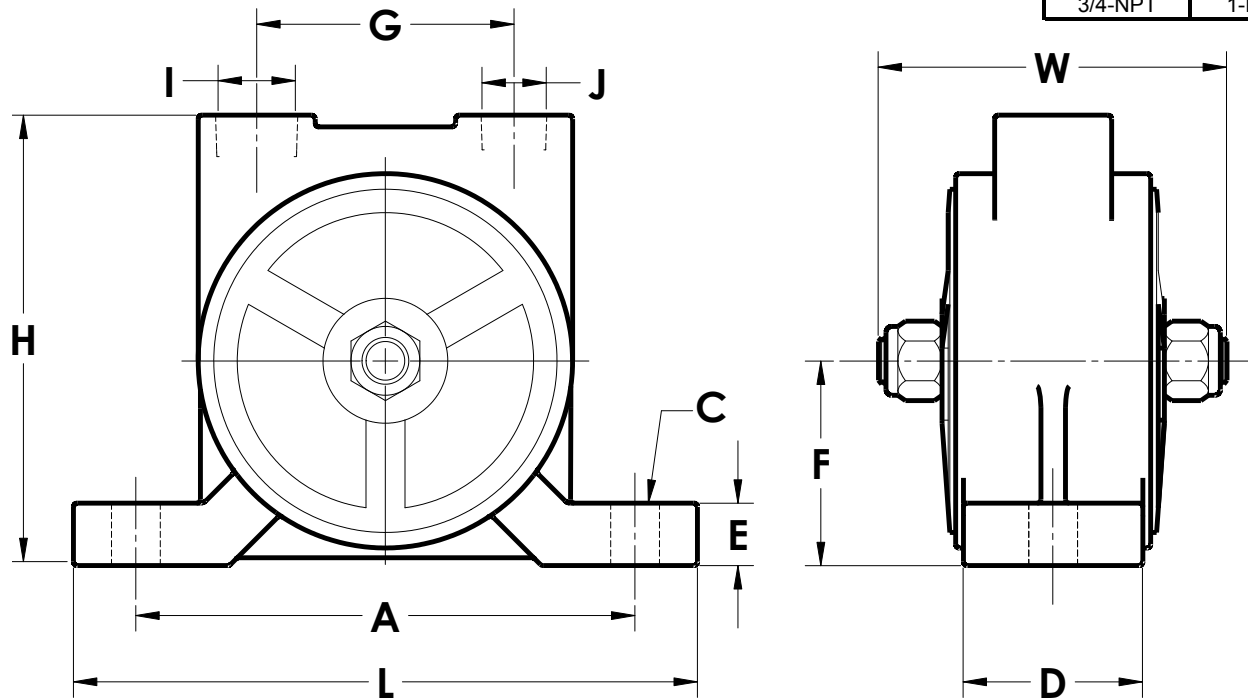
BVS Technical Data

Model	A		C**		L		W		H		D		E		F		G	
	Inch	mm	Inch	mm	Inch	mm	Inch	mm	Inch	mm	Inch	mm	Inch	mm	Inch	mm	Inch	mm
BVS-60	3	76	1/4	6	3 13/16	97	1 5/8	41	2 7/16	62	3/4	19	5/8	16	1 3/16	30	1 1/4	32
BVS-130	4	102	3/8	10	4 7/8	124	1 7/8	48	2 5/8	67	7/8	22	5/8	16	1 1/4	32	1 7/16	37
BVS-160	4	102	3/8	10	5 1/2	140	2 7/8	73	3 5/8	92	1 3/8	35	9/16	14	1 11/16	43	1 7/8	48
BVS-190	4	102	3/8	10	5 1/4	133	3 3/16	81	3 7/16	87	1 5/16	33	7/8	22	1 9/16	40	1 7/8	48
BVS-250	5	127	1/2	13	6 3/4	171	3 9/16	90	3 15/16	100	1 5/8	41	7/8	22	1 7/8	48	2 5/16	59
BVS-320	5	127	1/2	13	6 3/4	171	4	102	4 7/8	124	1 5/8	41	1 1/8	29	2 1/4	57	2 3/4	70
BVS-380	6	152	5/8	16	7 15/16	202	4 3/4	121	5 13/16	148	2	51	1 1/8	29	2 11/16	68	3	76
BVS-440	7	178	5/8	16	8 15/16	227	4 3/4	121	5 3/4	146	2 3/16	56	1 3/16	30	2 7/16	62	3 7/16	87
BVS-510	7	178	5/8	16	8 15/16	227	4 3/4	121	5 3/4	146	2 1/4	57	1 1/4	32	2 9/16	65	3 7/16	87
BVS-570	8	203	3/4	19	10 3/16	259	5 7/16	138	7 1/4	184	2 15/16	75	1	25	3 1/8	79	4	102

* NPT Pipe Tap Size

** Bolt Size

I *	J *
Inlet	Outlet
1/8-NPT	1/8-NPT
1/8-NPT	1/4-NPT
1/4-NPT	3/8-NPT
1/4-NPT	3/8-NPT
1/4-NPT	3/8-NPT
3/8-NPT	1/2-NPT
3/8-NPT	1/2-NPT
1/2-NPT	3/4-NPT
1/2-NPT	3/4-NPT
3/4-NPT	1-NPT



Model	Weight		60 psi		80 psi				Max. lbs. Material in Bin	
	lbs.	kg	Speed VPM	CFM	Speed VPM	CFM	Force (lbs.)	Force (N)		dB
BVS-60	7/13 oz.	.198/.368	12000	4			20	89	66	200
BVS-130	10/20 oz.	.283/.567	8000	4.5	10500	5.5	75	334	67	750
BVS-160	3	1.4	9500	7	11000	8	160	712	70	1600
BVS-190	3.5	1.6	5500	7.5	7200	8.5	270	1201	71	2700
BVS-250	6	2.7	5200	8	7200	9	480	2136	72	4800
BVS-320	8.5	3.9	5500	9	6800	10	600	2669	70	5300
BVS-380	13	5.8	4500	16	5000	18	670	2981	74	6700
BVS-440	16	7.3	4300	18	4800	21	700	3114	76	7000
BVS-510	16	7.3	4000	18	4500	21	900	4004	77	9000
BVS-570	23	10.4	3600	21	4000	26	1050	4671	83	10500

PHONE ORDER: 1-800-633-0032

FAX: 1-401-539-2584

WWW.VIBCO.COM

VIBRATORS@VIBCO.COM

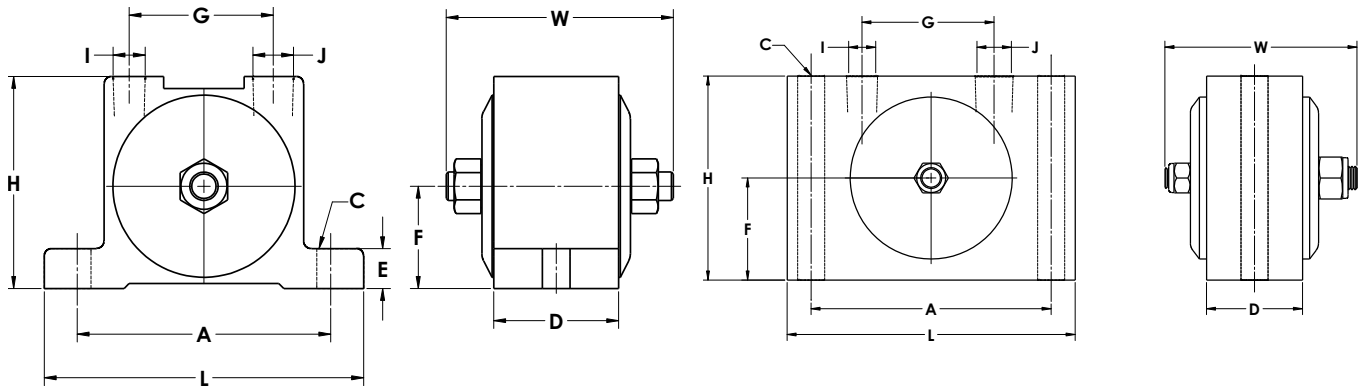
MLT and MLTSS Technical Data

Model	A		C**		L		W		H		D		E		F		G		I*	J*
	Inch	mm	Inch	mm	Inch	mm	Inch	mm	Inch	mm	Inch	mm	Inch	mm	Inch	mm	Inch	mm	Inlet	Outlet
MLT/MHI-130	2 3/4	70	1/4	6	3 1/2	89	1 7/8	48	2 1/2	64	1	25	1/2	13	1 1/8	29	1 7/16	37	1/8-NPT	1/4-NPT
MLT/MHI-190	3 1/2	89	3/8	10	4 1/2	114	3 3/8	86	3 3/16	81	1 13/16	46	5/8	16	1 1/2	38	1 15/16	49	1/4-NPT	3/8-NPT
MLT/MHI-250	4	102	3/8	10	5	127	3 3/8	86	3 3/8	86	2	51	5/8	16	1 11/16	43	2 1/4	57	1/4-NPT	3/8-NPT
MLT/MHI-320	5	127	1/2	13	6 3/8	162	4	102	4 1/4	108	2	51	13/16	21	2 1/16	52	2 13/16	71	3/8-NPT	1/2-NPT

* NPT Pipe Tap Size ** Bolt Size

Model	A		C**		L		W		H		D		E		F		G		I*	J*
	Inch	mm	Inch	mm	Inch	mm	Inch	mm	Inch	mm	Inch	mm	Inch	mm	Inch	mm	Inch	mm	Inlet	Outlet
MLTSS/MHISS-130	2 3/4	70	1/4	6	3 1/2	89	1 7/8	48	2 3/8	64	1	25	1/2	13	1 3/16	29	1 7/16	37	1/8-NPT	1/4-NPT
MLTSS/MHISS-190	3 1/2	89	3/8	10	4 1/2	114	3 3/8	86	3 1/2	81	1 13/16	46	5/8	16	1 3/4	38	1 15/16	49	1/4-NPT	3/8-NPT
MLTSS/MHISS-320	5	127	1/2	13	6	152	4	102	4 1/4	108	2	51	13/16	21	2 1/8	52	2 13/16	71	3/8-NPT	1/2-NPT

* NPT Pipe Tap Size ** Bolt Size



Model	Weight		60 psi		80 psi					Max. lbs.
	lbs.	kg	Speed VPM	CFM	Speed VPM	CFM	Force (lbs.)	Force (N)	dB	Material in Bin
MLT-130	1	.45	8600	4.5	10500	5.5	75	334	68	750
MLT-190	2	.91	5500	7.5	7200	8.5	270	1200	71	2700
MLT-250	2.4	1.08	5200	8	7200	9	480	2136	72	4800
MLT-320	4.5	2.04	5500	9	6800	10	600	2669	70	5300

Model	Weight		60 psi		80 psi					Max. lbs.
	lbs.	kg	Speed VPM	CFM	Speed VPM	CFM	Force (lbs.)	Force (N)	dB	Material in Bin
MLTSS-130	2	.9	8600	4.5	10500	5.5	75	334	68	750
MLTSS-190	7	3.2	5500	7.5	7200	8.5	270	1200	71	2700
MLTSS-320	13	6.0	5500	9	6800	10	600	2669	70	5300

Model	Weight		60 psi		Force (lbs.)		Force (N)		80 psi		dB	Max. lbs.
	lbs.	kg	Speed VPM	CFM	Speed VPM	CFM	Force (lbs.)	Force (N)				
MHI-130	1	.45	8000	4.5	200	890	21000	5.5	300	300	68	750
MHISS-130	2	.9										
MHI-190	2	.91	5500	7.5	335	1490	10500	8.5	575	575	71	2700
MHISS-190	7	3.2										
MHI-250	2.4	1.08	5200	8	510	2270	10200	9	965	4290	72	4800
MHI-320	4.5	2.04	5500	9	675	3000	10000	10	1300	5780	70	5300
MHISS-320	13	6.0										

PHONE ORDER: 1-800-633-0032

FAX: 1-401-539-2584